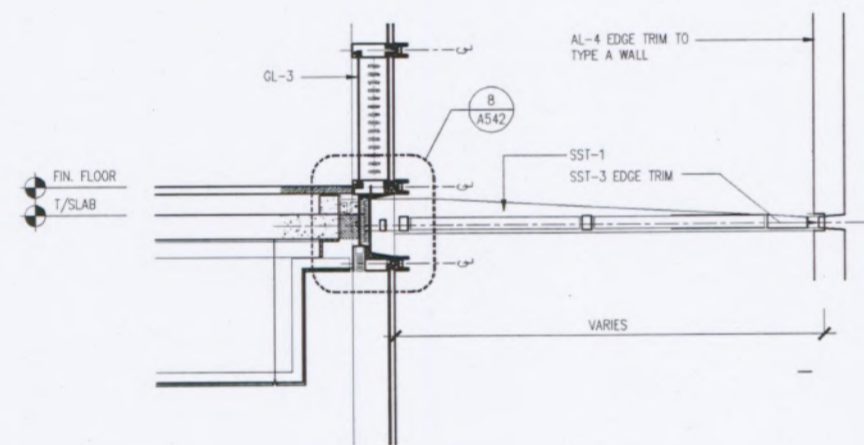
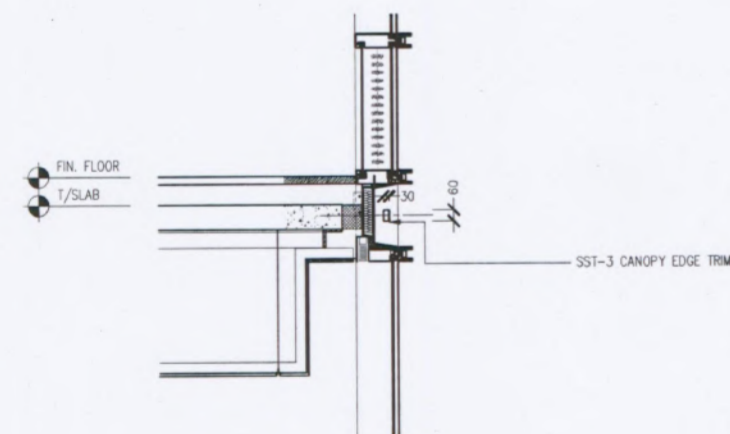


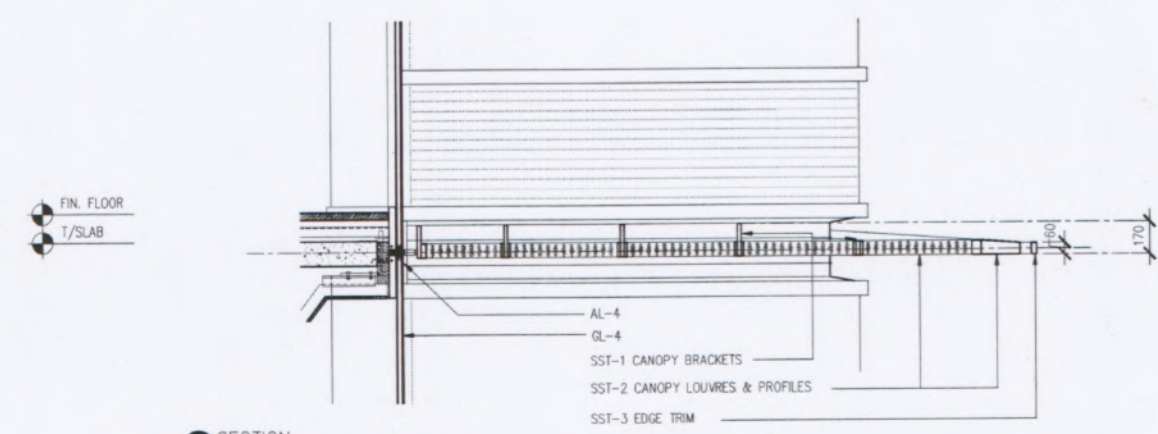
**3 SECTION**  
1:20/80 AWS4400



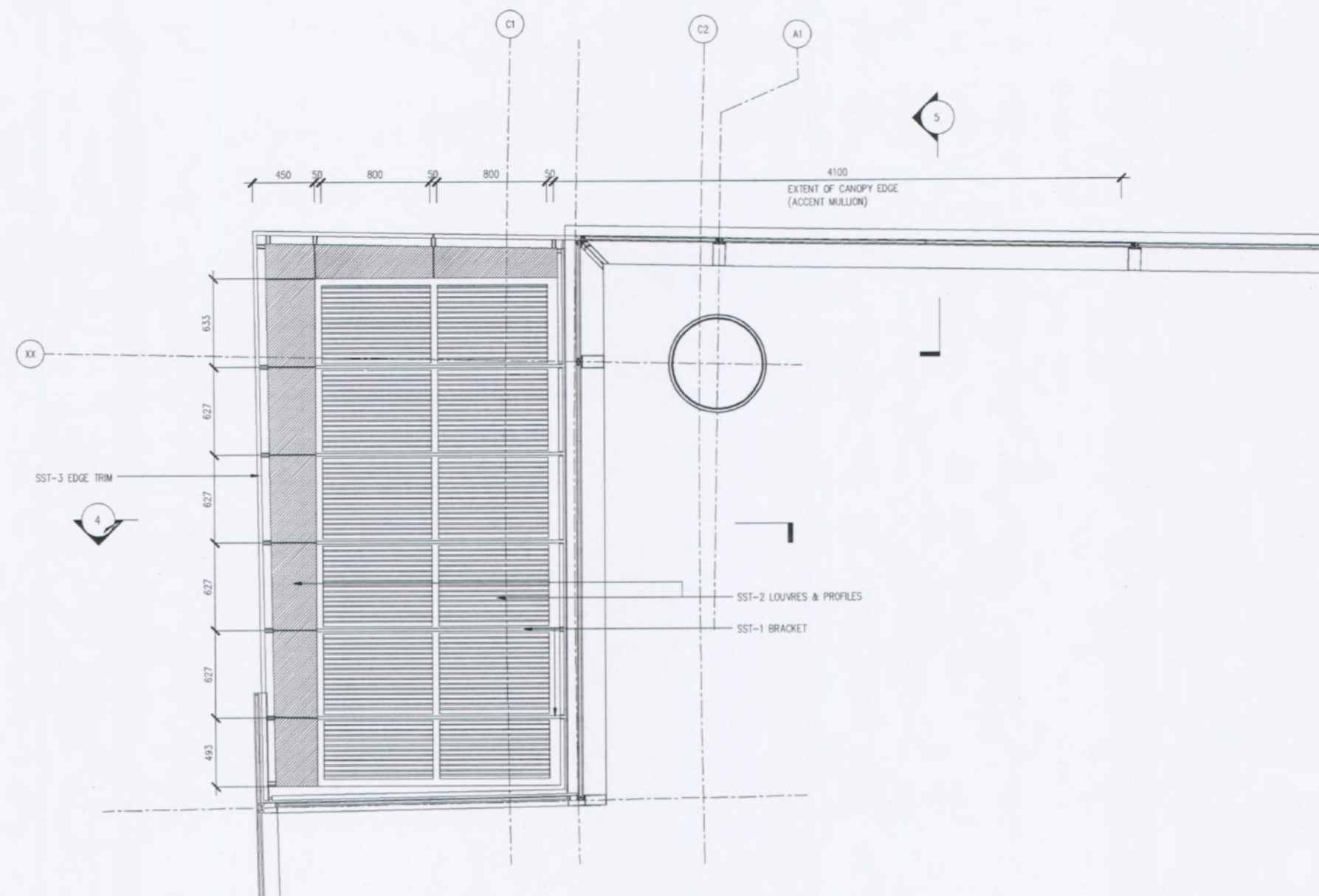
**4 SECTION**  
1:20/80 AWS4400



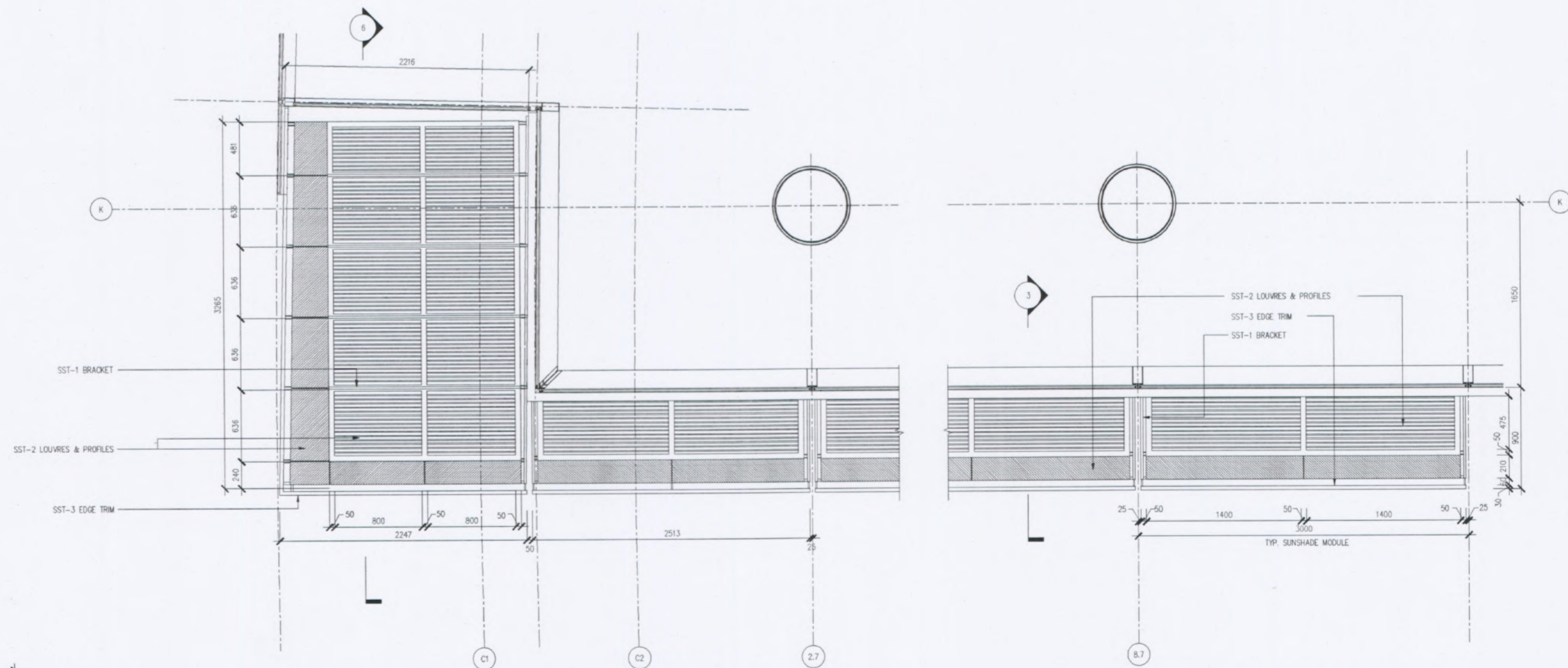
**5 SECTION**  
1:20/80 AWS4400



**6 SECTION**  
1:20/80 AWS4400



**1 PARTIAL PLAN**  
1:20/80 AWS4400

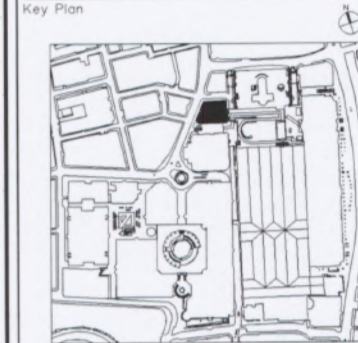


**2 PARTIAL PLAN**  
1:20/80 AWS4400

**Broadgate**  
The British Land Company Plc  
10 Cornwall Terrace  
Regents Park, London NW1 4QP  
United Kingdom

Architect & Structural Engineer  
**SOM**  
Skidmore, Owings & Merrill, Inc.  
30 Millbank, London SW1P 4SD, England, UK

Services Engineer  
**JB&B**  
Jaros Baum & Bolles (UK) Limited  
Consulting Engineers - Building Services  
59 Albert Embankment, Vauxhall, London SE1 7YF



**IN PROGRESS**  
**ISSUE FOR**  
**INFORMATION ONLY**  
16 FEB 2002

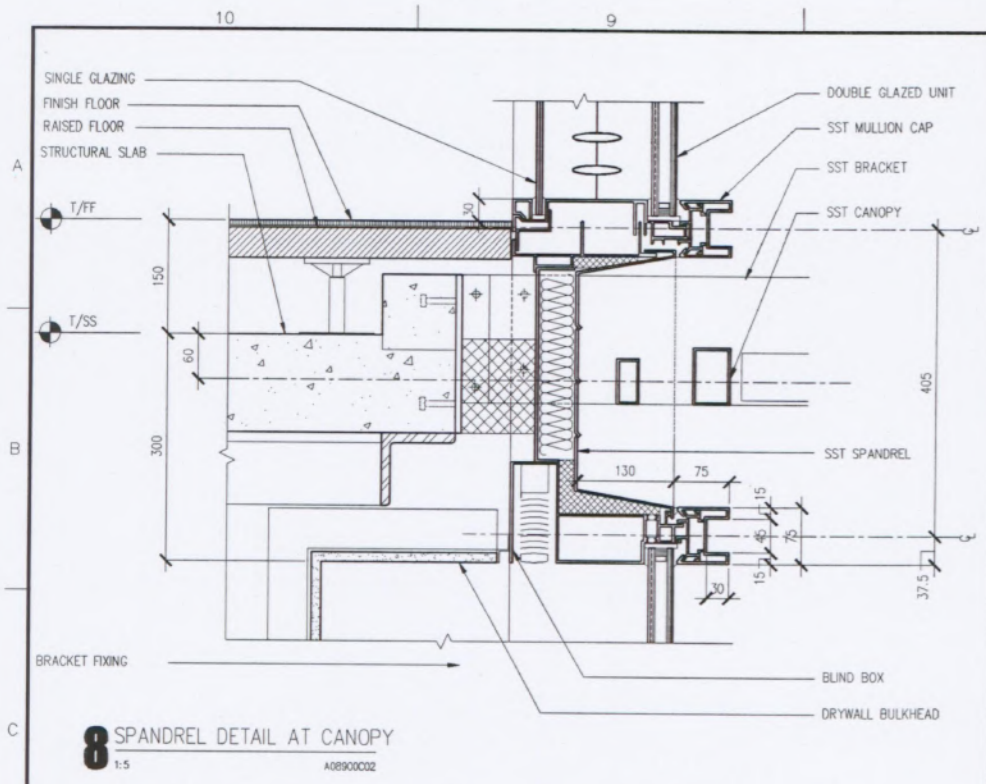
No.	Date	Issue
00	08.02.02	EXTERIOR WALL TENDER

**HAMILTON HOUSE**  
Broadgate Estates  
London

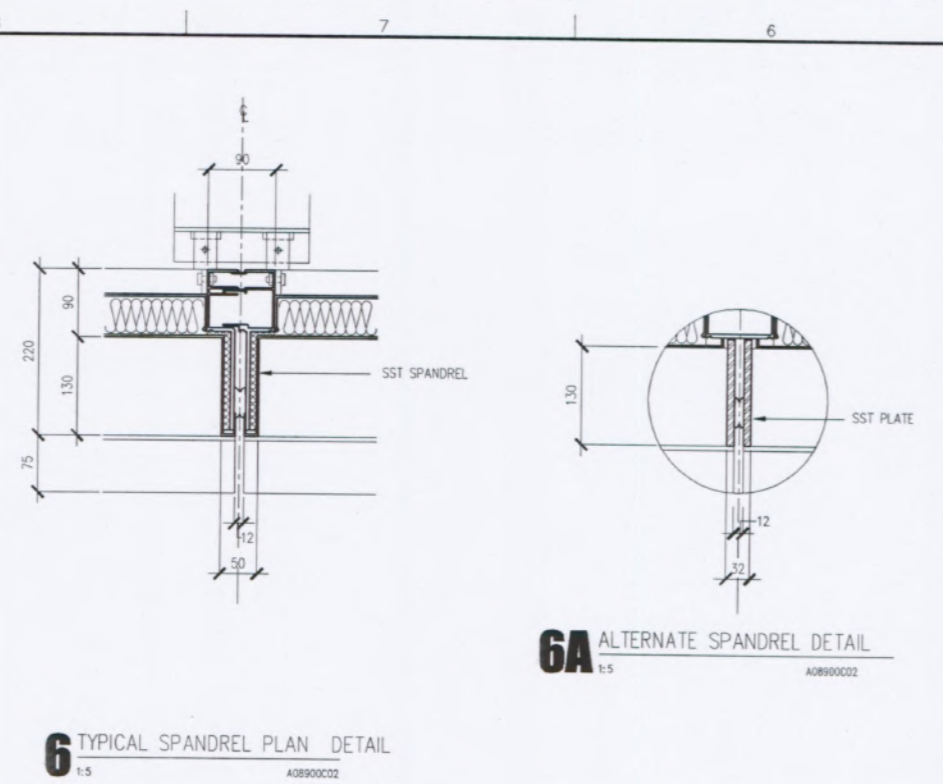
Drawing Title  
**Exterior Wall**  
**Details**

Date	Drawing No.	Revision
08.02.02	A-544	00

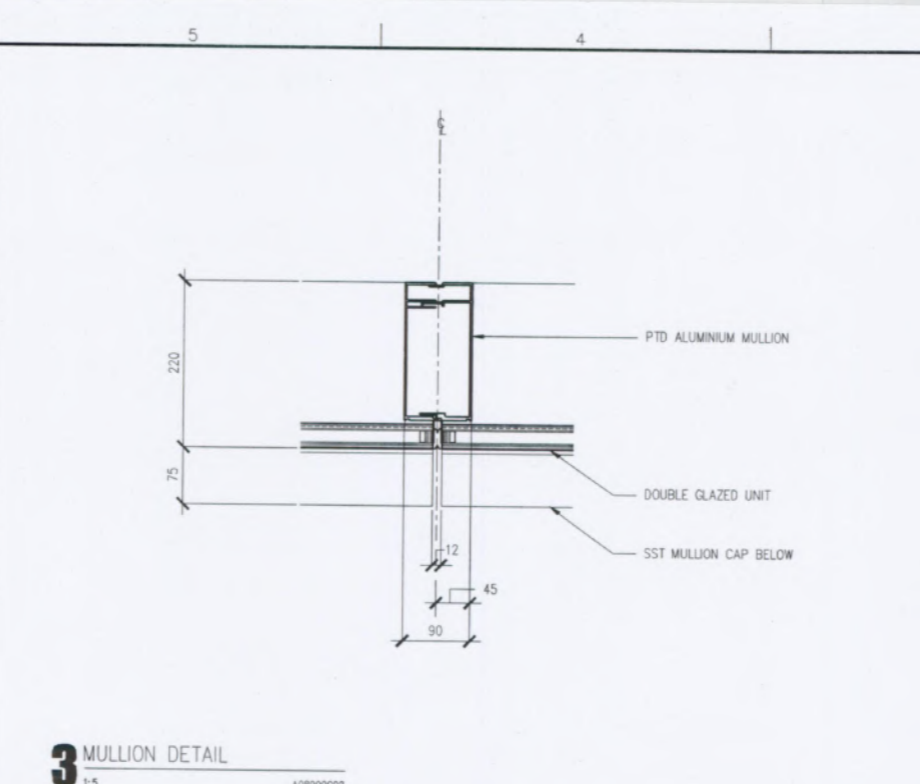
Scale: AS NOTED  
SOM Job No: 200260  
CAD File Name: A-544



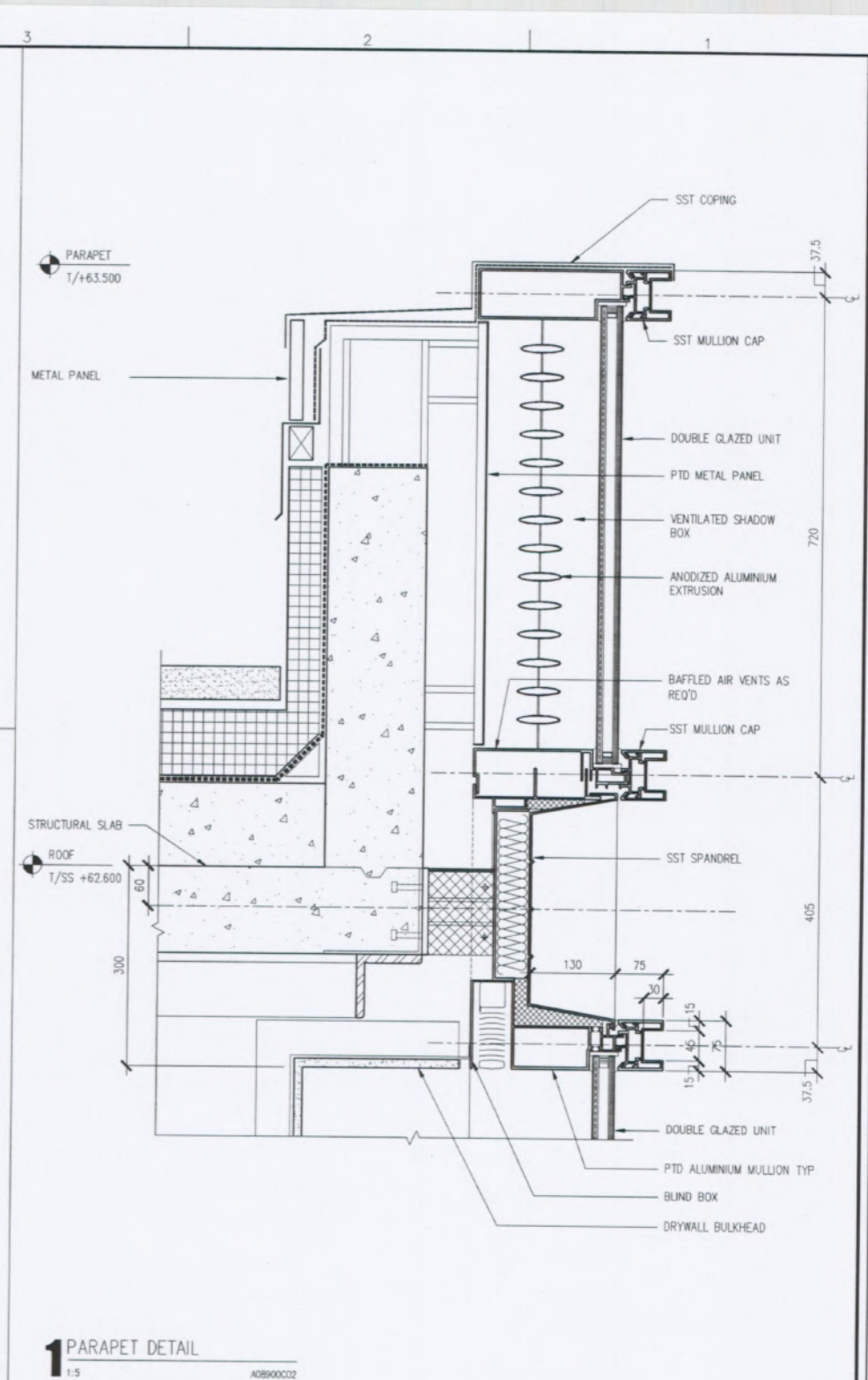
**8** SPANDREL DETAIL AT CANOPY  
1:5 A0890002



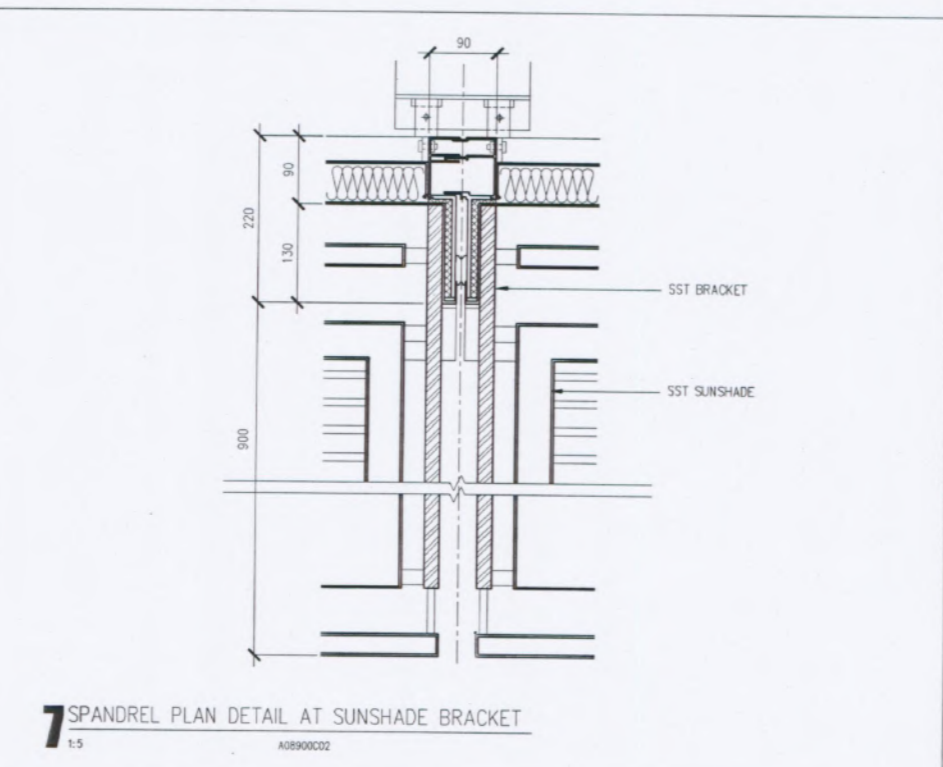
**6** TYPICAL SPANDREL PLAN DETAIL  
1:5 A0890002



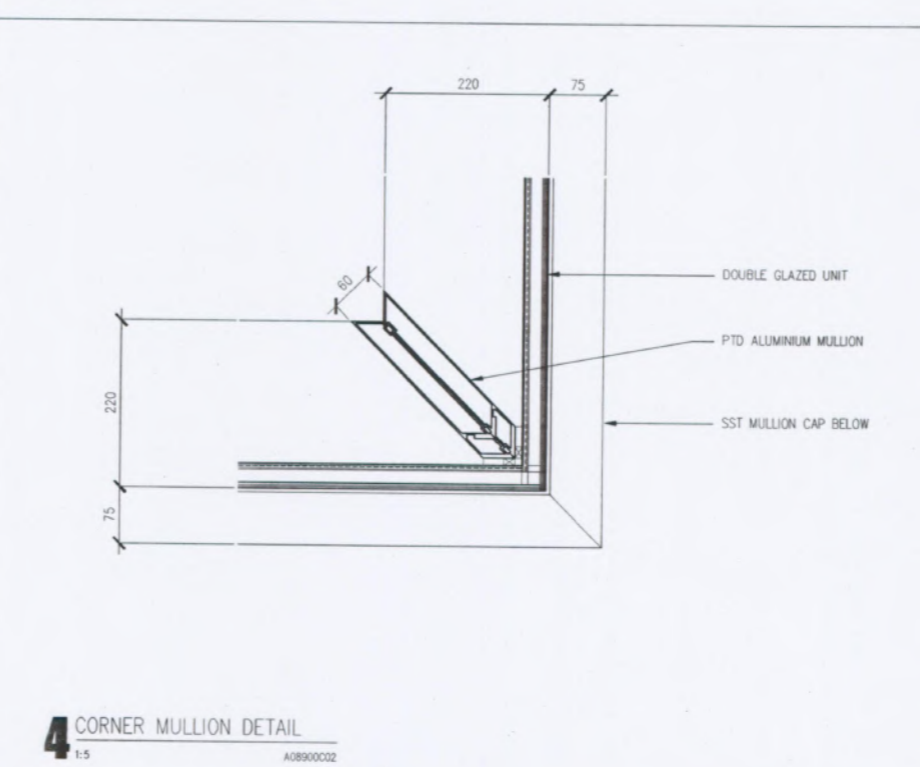
**3** MULLION DETAIL  
1:5 A0890002



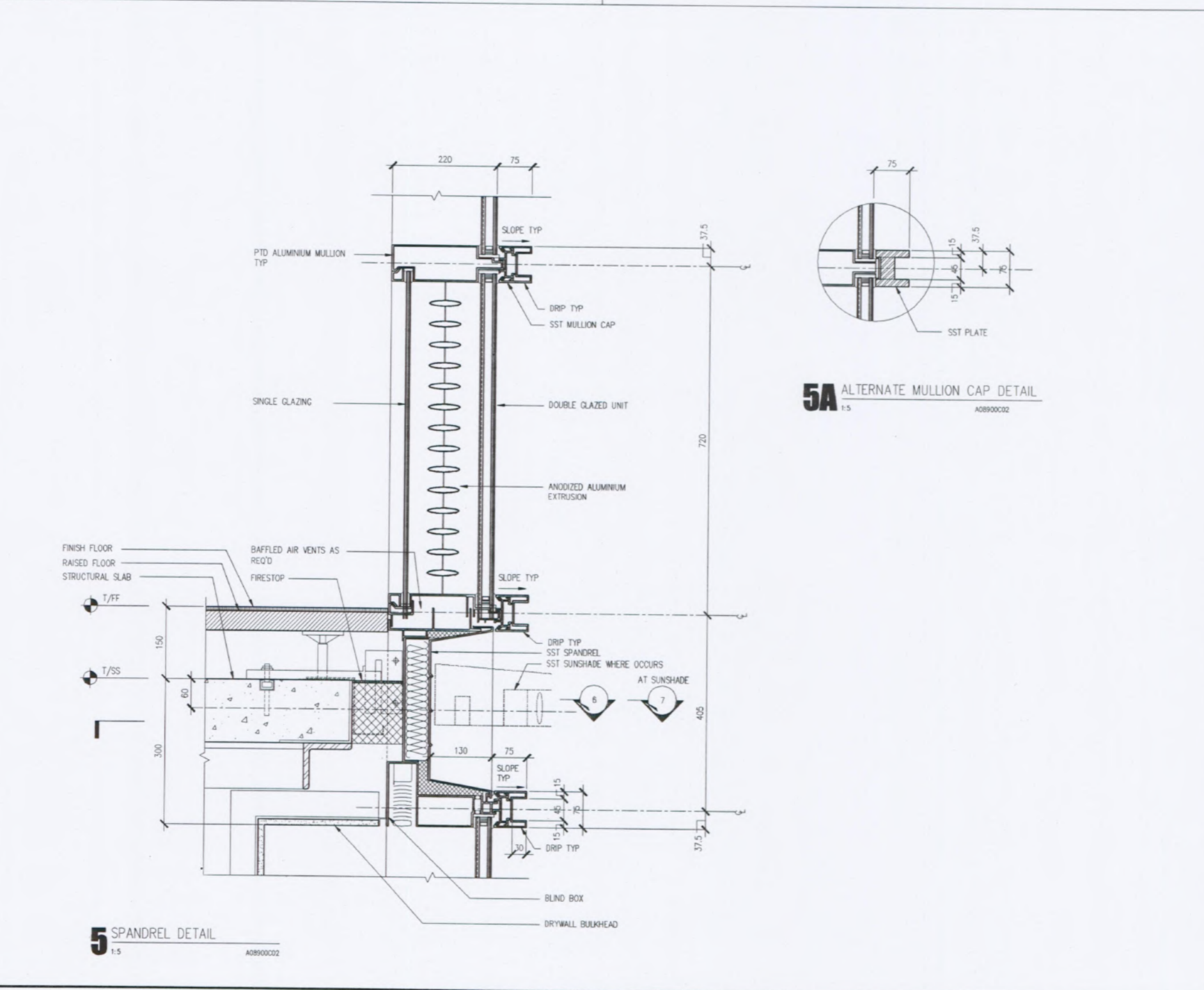
**1** PARAPET DETAIL  
1:5 A0890002



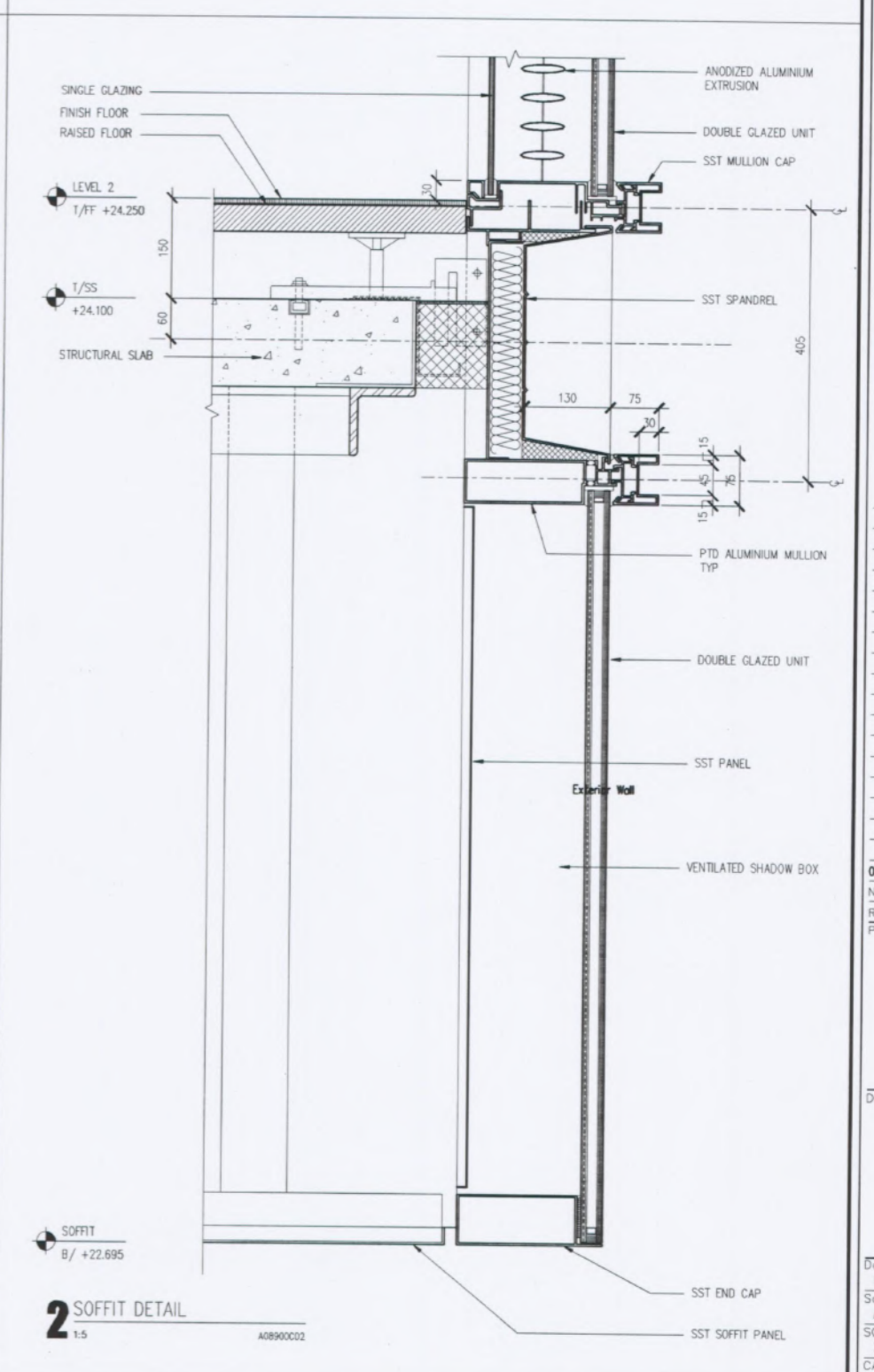
**7** SPANDREL PLAN DETAIL AT SUNSHADE BRACKET  
1:5 A0890002



**4** CORNER MULLION DETAIL  
1:5 A0890002



**5** SPANDREL DETAIL  
1:5 A0890002

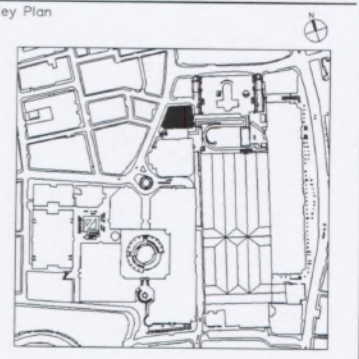


**2** SOFFIT DETAIL  
1:5 A0890002

Client  
**Broadgate**  
The British Land Company Plc  
10 Cornwall Terrace  
Regents Park, London NW1 4QP  
United Kingdom

Architect & Structural Engineer  
**SOM**  
Skidmore, Owings & Merrill, Inc.  
30 Millbank, London SW1P 4SD, England, UK

Services Engineer  
**JB&B**  
Jaros Baum & Bolles (UK) Limited  
Consulting Engineers - Building Services  
89 Albert Embankment, Vauxhall, London SE1 7TP



**IN PROGRESS  
ISSUE FOR  
INFORMATION ONLY  
16 FEB 2002**

No.	Date	Issue
00	08.02.02	EXTERIOR WALL TENDER

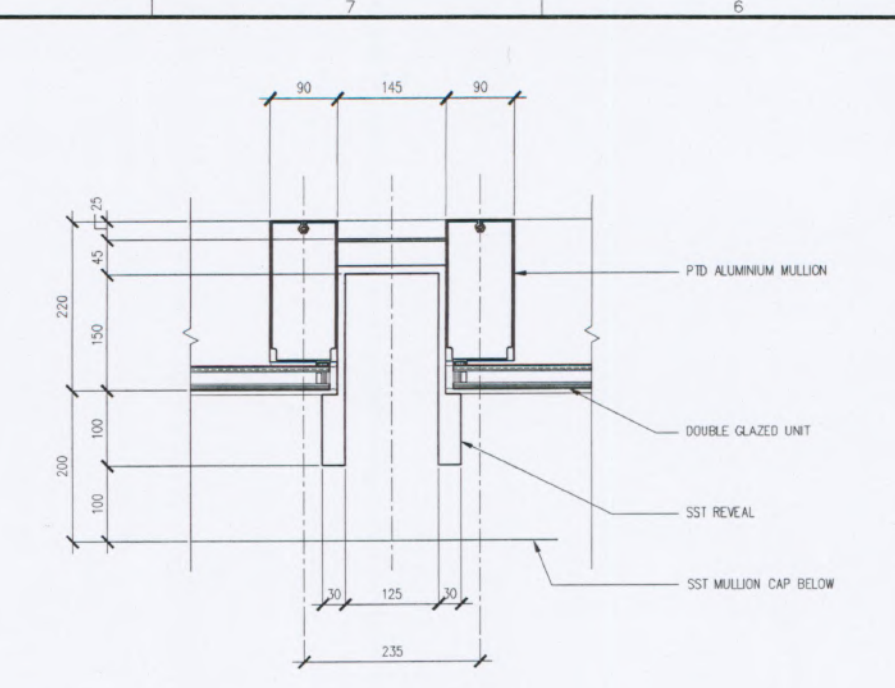
Revisions  
Project

**HAMILTON HOUSE**  
Broadgate Estates  
London

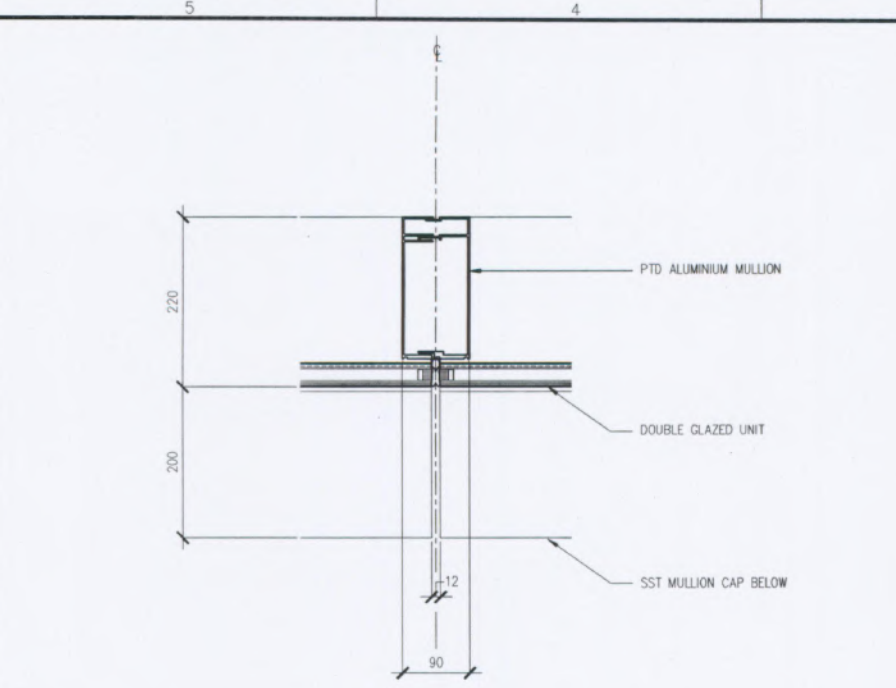
Drawing Title  
**Exterior Wall  
Details**

Date	Scale	Drawing No	Revision
08.02.02	AS NOTED	A-542	00

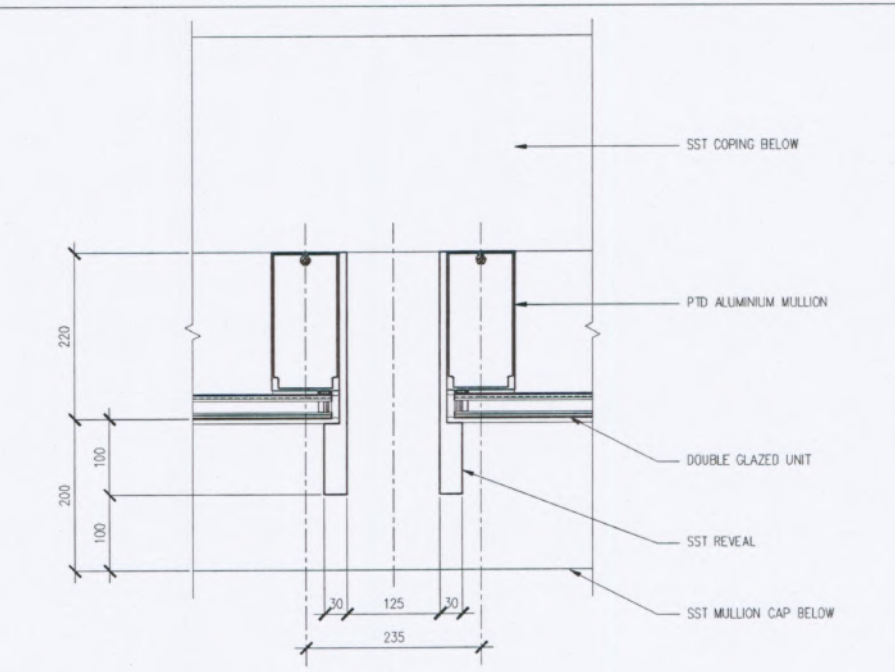
© Copyright Skidmore, Owings & Merrill, Inc. 2001



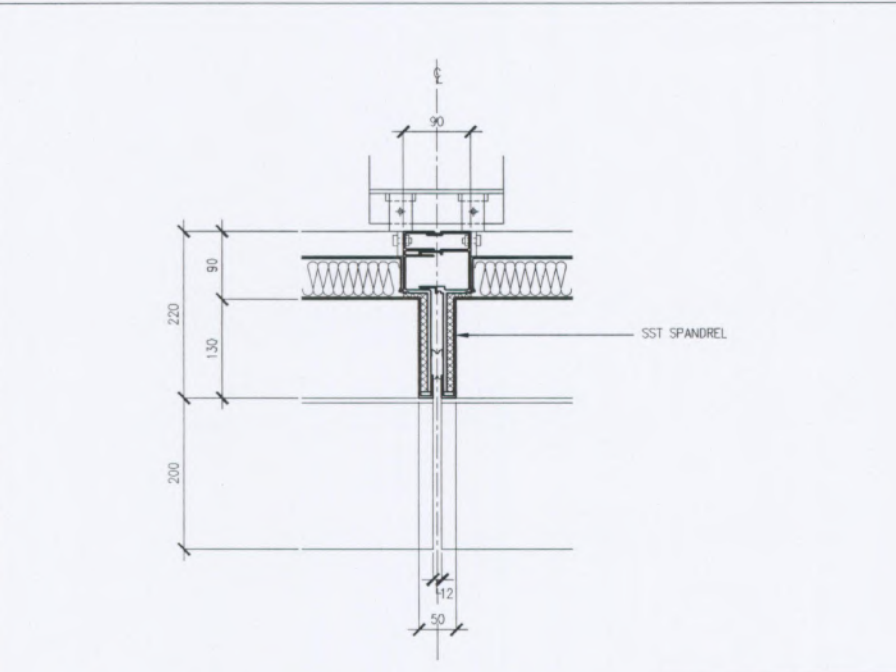
**6 REVEAL PLAN DETAIL**  
1:5 A0890003



**3 MULLION DETAIL**  
1:5 A0890003

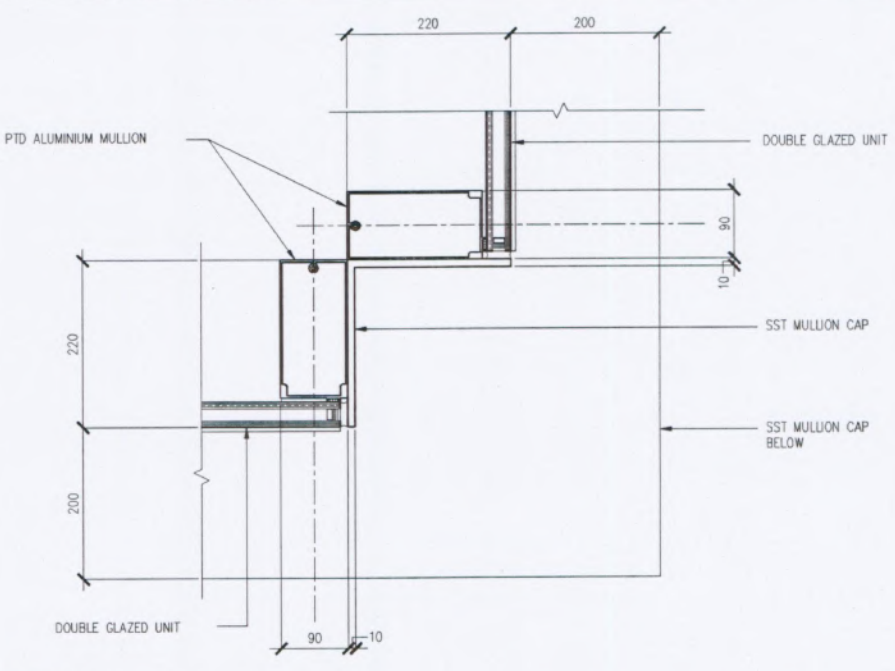


**7 REVEAL PLAN DETAIL AT PARAPET**  
1:5 A0890003

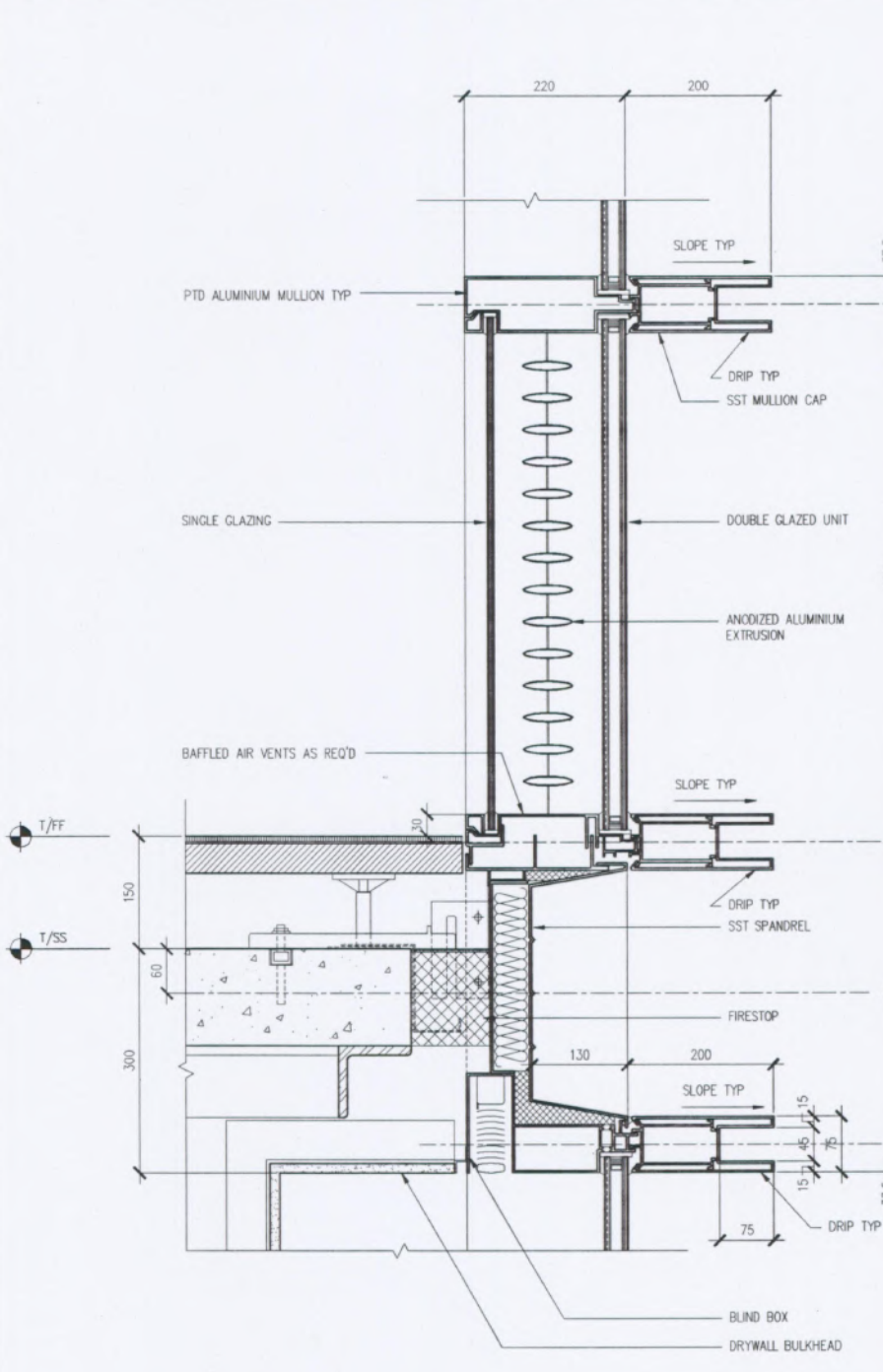


**4 SPANDREL PLAN DETAIL**  
1:5 A0890003

SEE DETAIL 6A/A-542 (SM) FOR ALTERNATE SPANDREL DETAIL

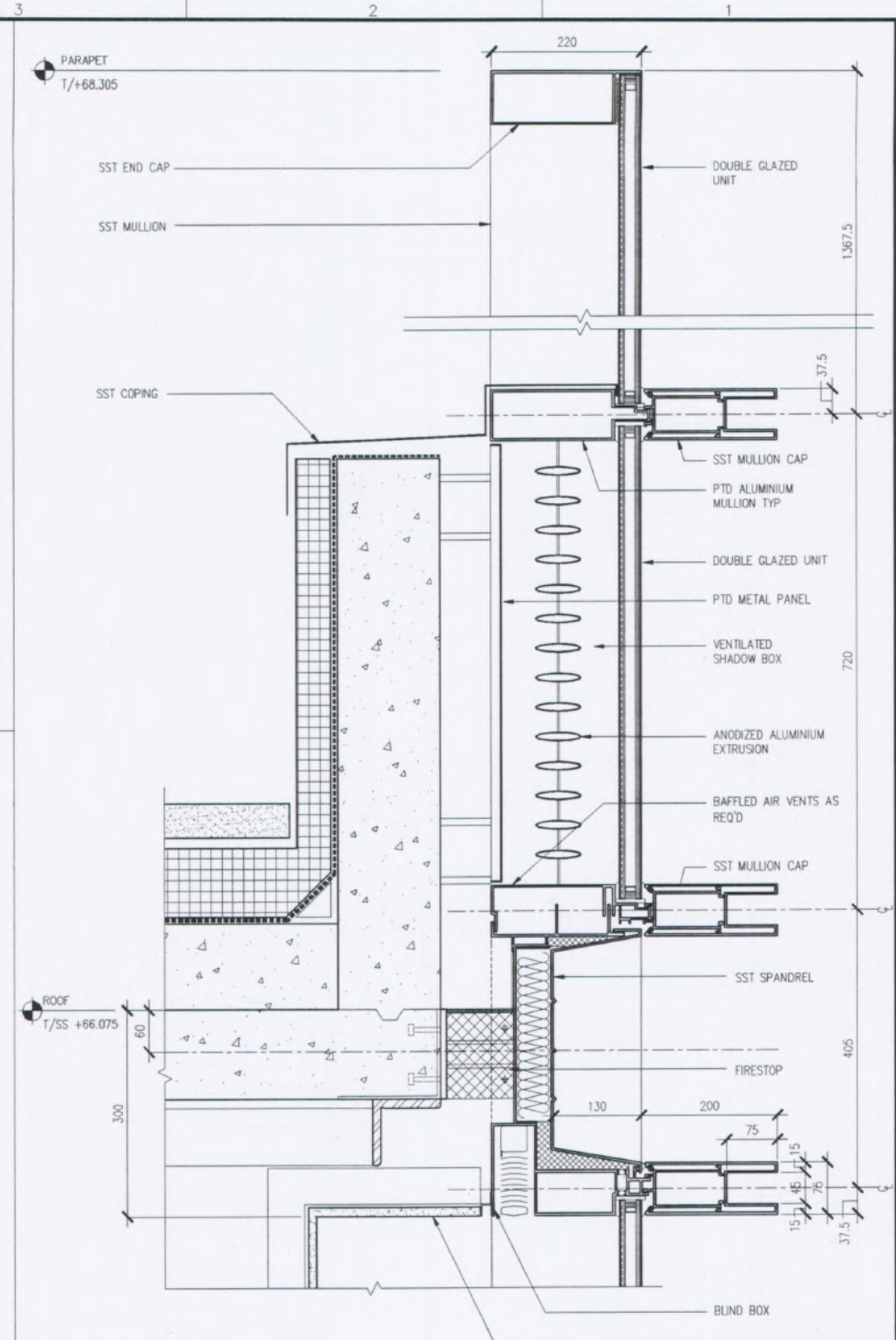


**8 CORNER DETAIL**  
1:5 A0890003

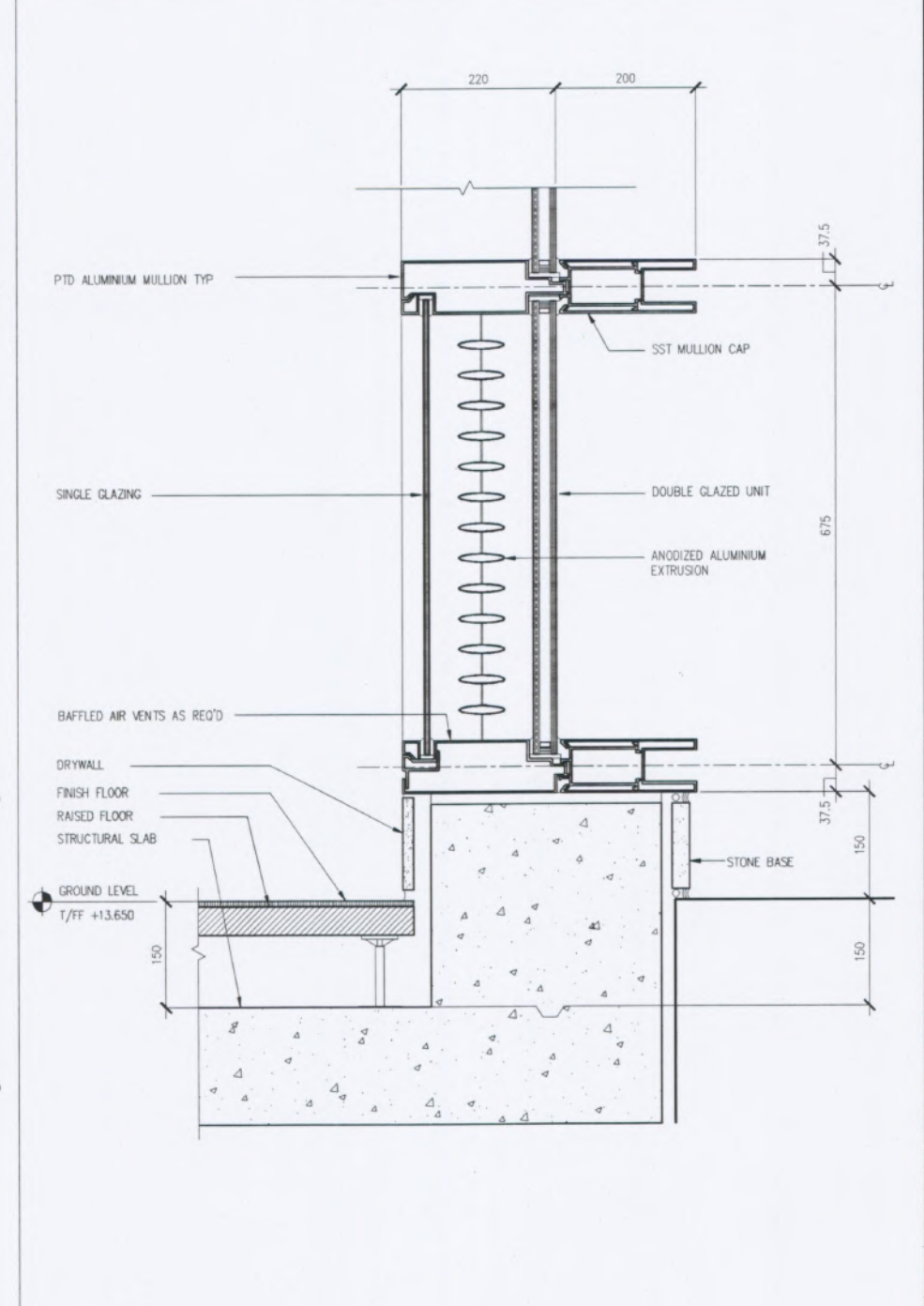


**5 SPANDREL DETAIL**  
1:5 A0890003

SEE DETAIL 5A/A-542 (SM) FOR ALTERNATE MULLION CAP DETAIL



**1 PARAPET DETAIL**  
1:5 A0890003

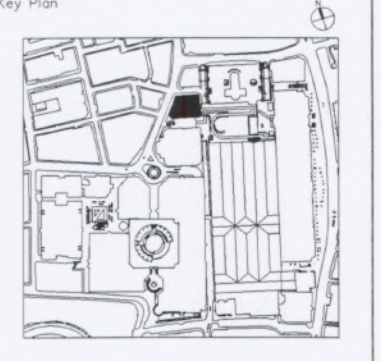


**2 SECTION DETAIL AT GROUND**  
1:5 A0890003

Client  
**Broadgate**  
The British Land Company Plc  
10 Cornwall Terrace  
Regents Park, London NW1 4QP  
United Kingdom

Architect & Structural Engineer  
**SOM**  
Skidmore, Owings & Merrill, Inc.  
30 Millbank, London SW1P 4SD, England, UK

Services Engineer  
**JB&B**  
Jaros Baum & Bolles (UK) Limited  
Consulting Engineers - Building Services  
89 Albert Embankment, Vauxhall, London SE1 7TF



**IN PROGRESS**  
**ISSUE FOR**  
**INFORMATION ONLY**  
16 FEB 2002

00 08-02-02 STAGE 1 TENDER - EXTERIOR WALL  
No. Date Issue  
Revisions  
Project

**HAMILTON HOUSE**  
Broadgate Estates  
London

Drawing Title  
**EXTERIOR WALL**  
**DETAILS**

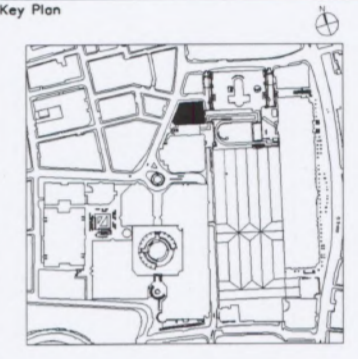
Date 08-02-02 Drawing No. Revision  
Scale AS NOTED  
SOM Job No 200260  
CAD File Name A-543  
**A-543 00**  
© Copyright Skidmore, Owings & Merrill, Inc. 2001



**Broadgate**  
 The British Land Company Plc  
 10 Cornwall Terrace  
 Regents Park, London NW1 4QP  
 United Kingdom

Architect & Structural Engineer  
**SOM**  
 Skidmore, Owings & Merrill, Inc.  
 30 Millbank, London SW1P 4SD, England, UK

Services Engineer  
**JB&B**  
 Jaros Baum & Bolles (UK) Limited  
 Consulting Engineers - Building Services  
 49 Albert Embankment, Vauxhall, London SE1 7TY



**IN PROGRESS**  
**ISSUE FOR**  
**INFORMATION ONLY**  
 16 FEB 2002

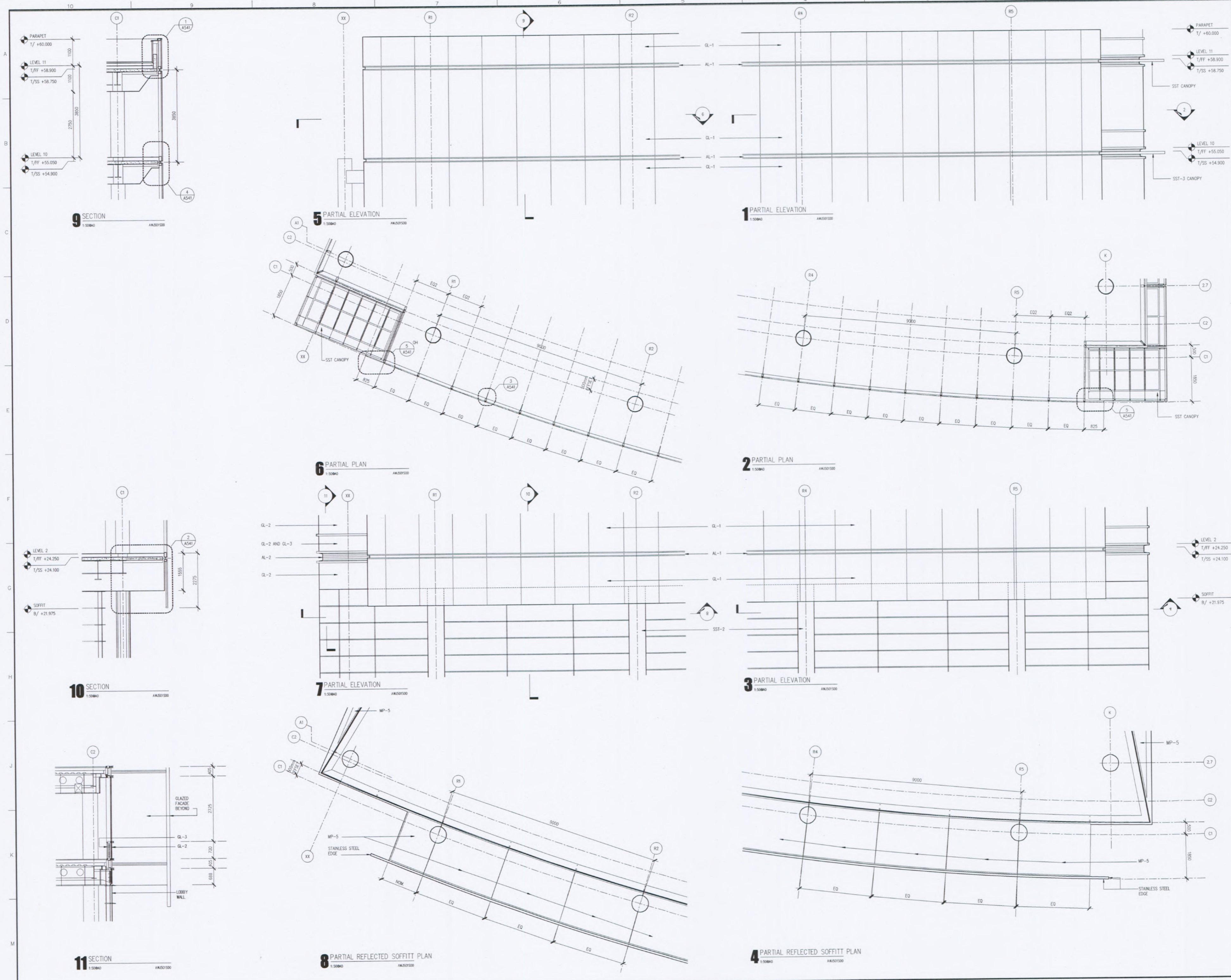
No.	Date	Issue
01	06.02.02	EXTERIOR WALL TENDER
02	14.12.01	BUILDING CONTROL CONSENT

**HAMILTON HOUSE**  
 Broadgate Estates  
 London

Drawing Title  
**Level 1 Plan**

Date 30.11.01	Drawing No	Revision
Scale 1:100@A0		
SOM Job No 200260	<b>A-103</b>	<b>01</b>
CAD File Name A-103		

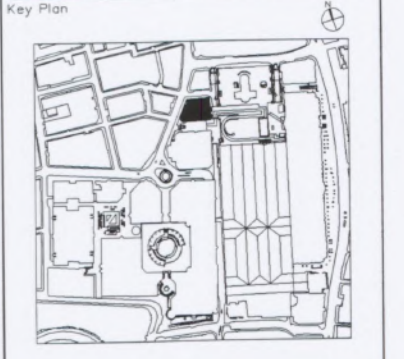
© Copyright Skidmore, Owings & Merrill, Inc. 2001



Client  
**Broadgate**  
 The British Land Company Plc  
 10 Curzon Terrace  
 Regents Park, London NW1 4QP  
 United Kingdom

Architect & Structural Engineer  
**SOM**  
 Skidmore, Owings & Merrill, Inc.  
 30 Millbank, London SW1P 4SD, England, UK

Services Engineer  
**JB&B**  
 Jaron Baum & Bolles (UK) Limited  
 Consulting Engineers - Building Services  
 89 Albert Embankment, Vauxhall, London SE1 7YF



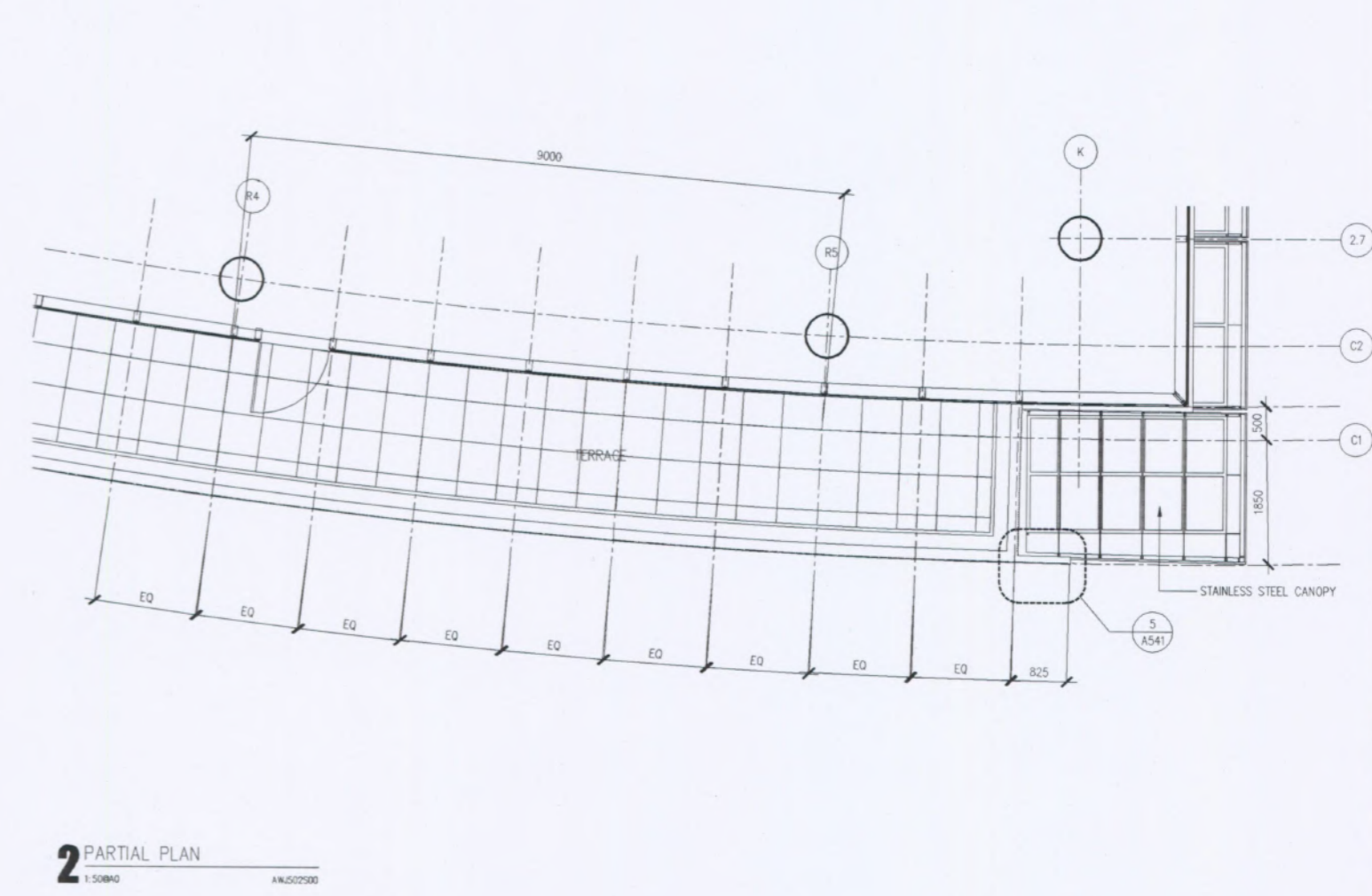
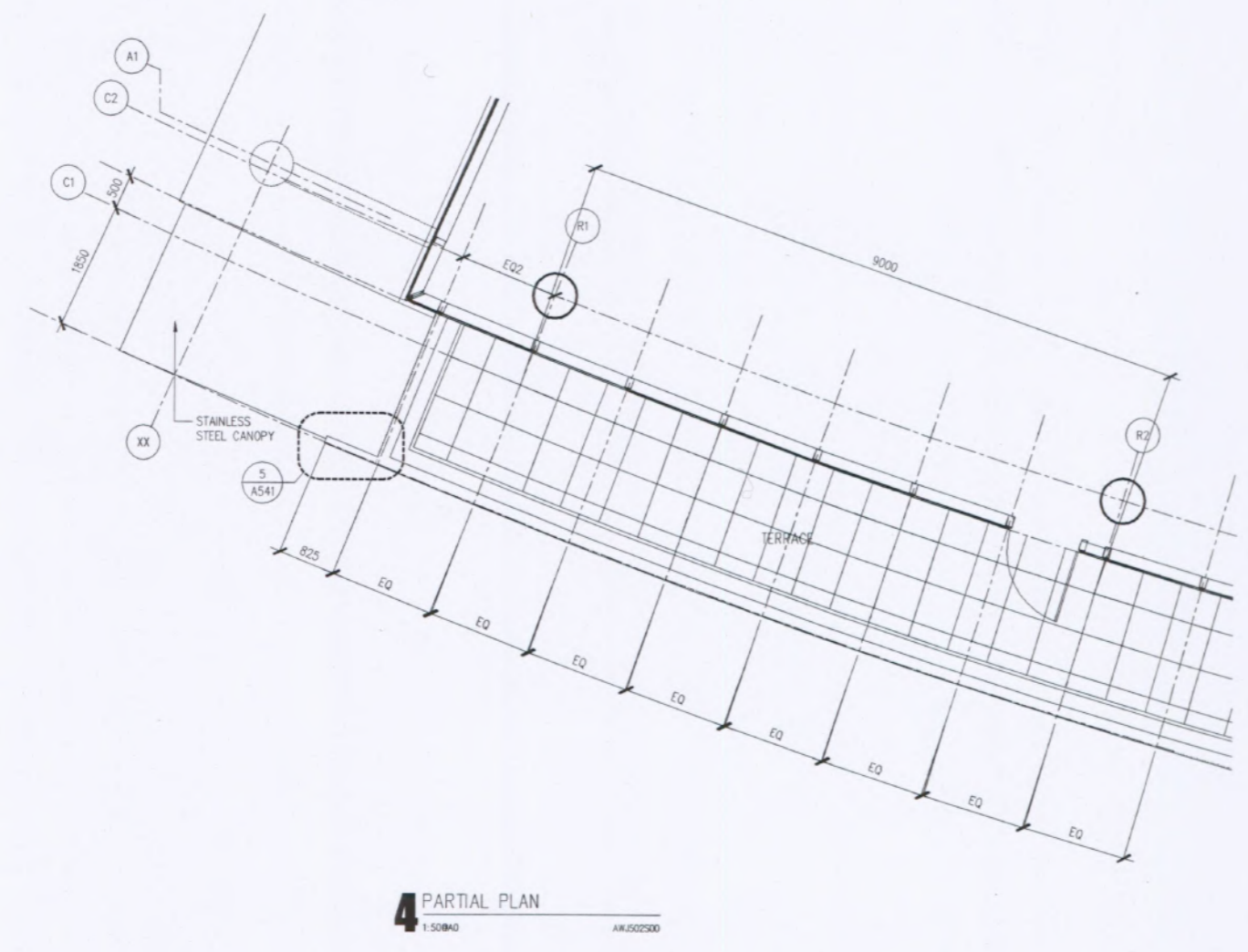
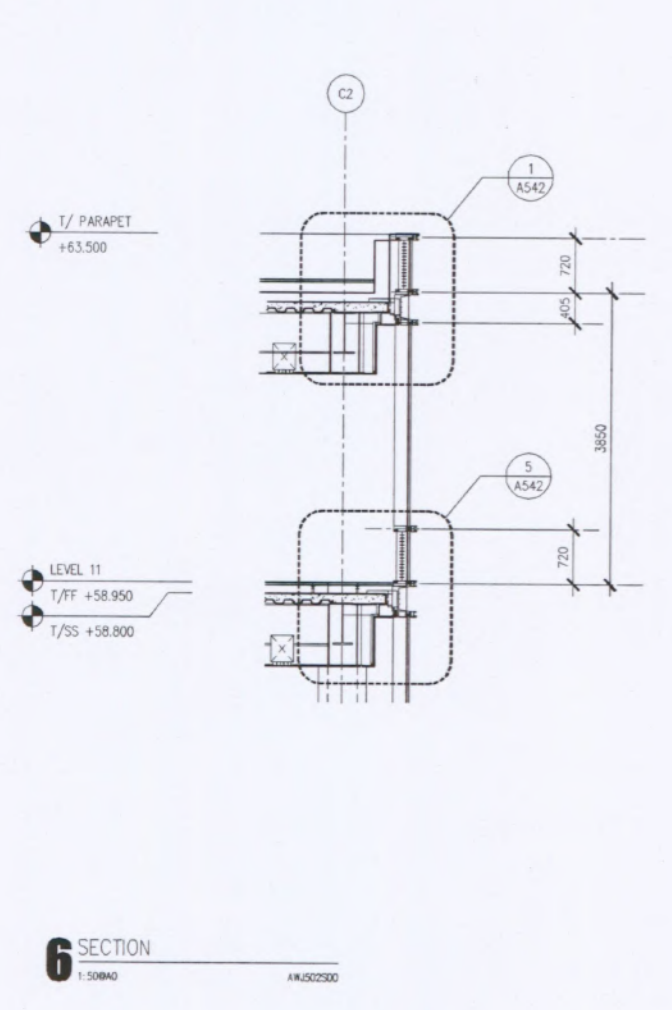
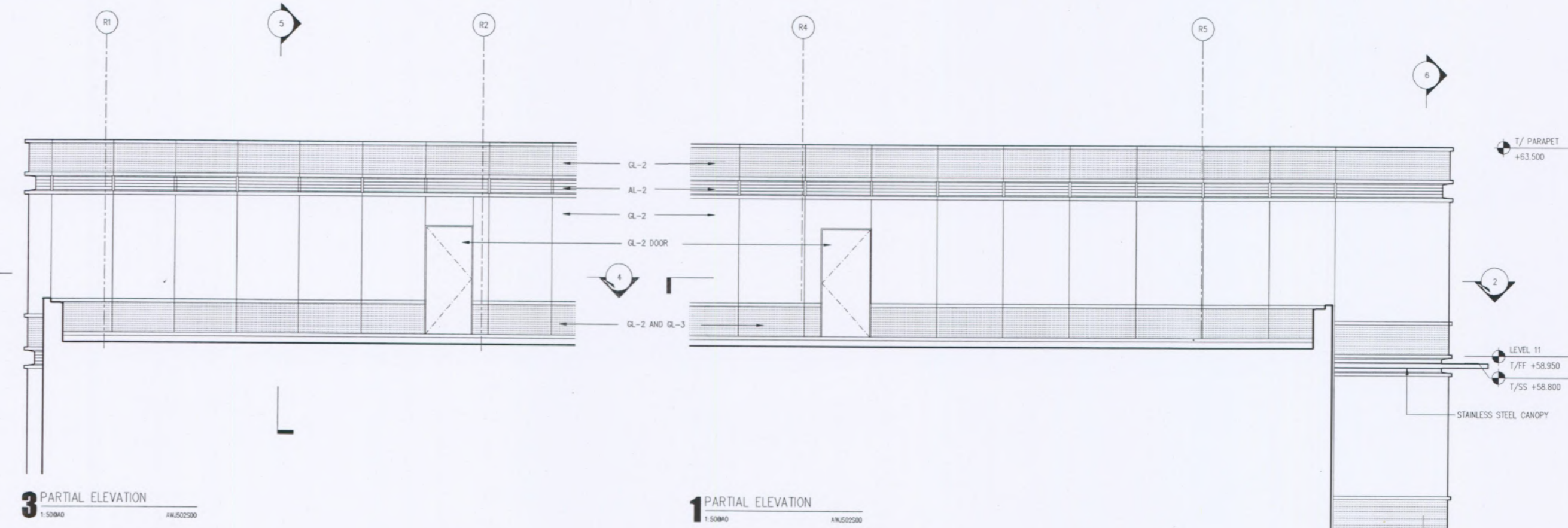
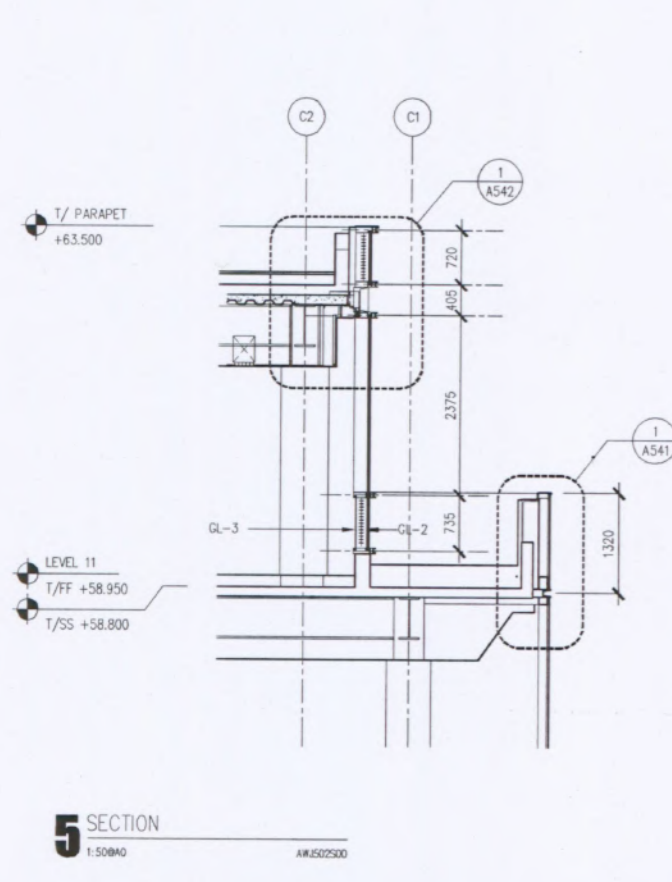
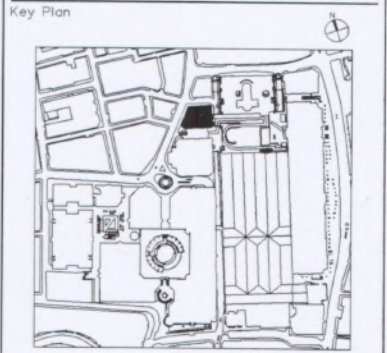
**IN PROGRESS  
 ISSUE FOR  
 INFORMATION ONLY**  
 16 FEB 2002

No.	Date	Issue
00	08.02.02	EXTERIOR WALL TENDER

**HAMILTON HOUSE**  
 Broadgate Estates  
 London

Drawing Title  
**Exterior Wall  
 Partial Elevations,  
 Plans and Sections**

Date: 08.02.02  
 Scale: 1:500  
 SOM Job No: 200260  
 CAD File Name: A-501  
 Drawing No: **A-501**  
 Revision: **00**  
 © Copyright Skidmore, Owings & Merrill, Inc. 2001



**IN PROGRESS  
 ISSUE FOR  
 INFORMATION ONLY**  
 16 FEB 2002

No.	Date	Issue
00	08.02.02	EXTERIOR WALL TENDER

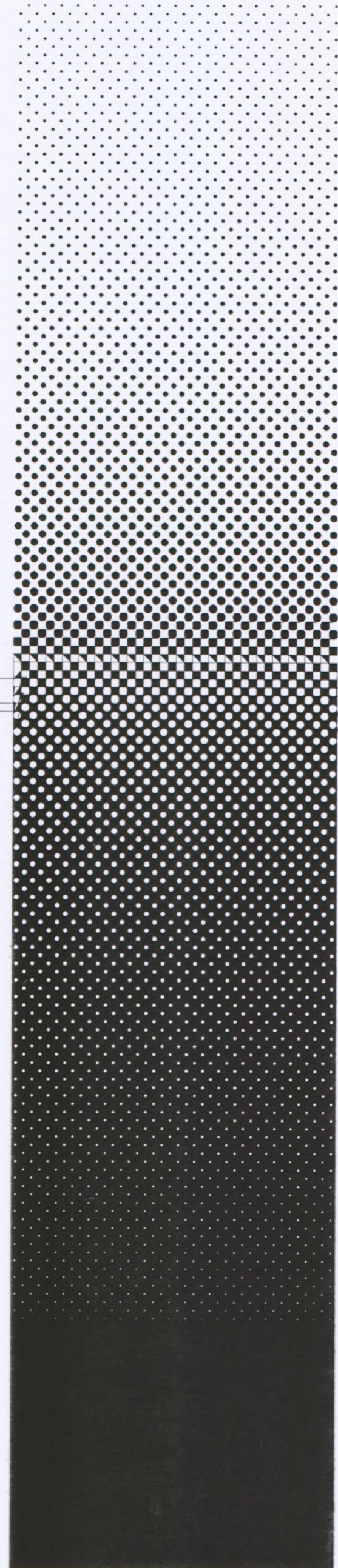
Revisions  
 Project

**HAMILTON HOUSE  
 Broadgate Estates  
 London**

Drawing Title  
**Exterior Wall  
 Partial Elevations,  
 Plans and Sections**

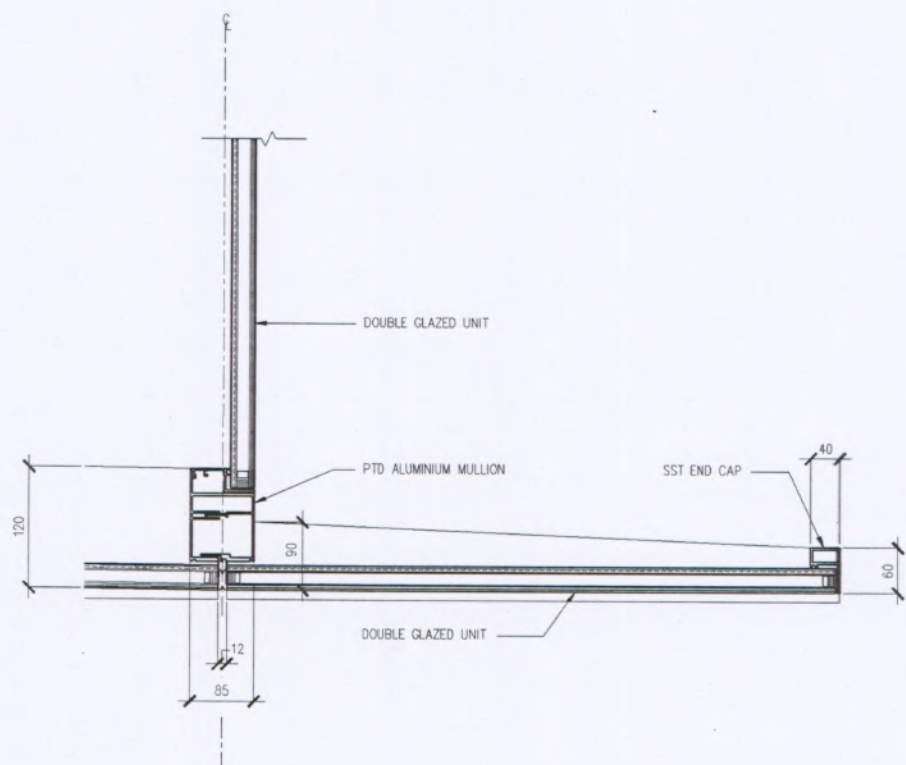
Date	Drawing No	Revision
08.02.02	1:5000	A-502 00

Scale:  
 SOM Job No:  
 CAD File Name:  
 A-502

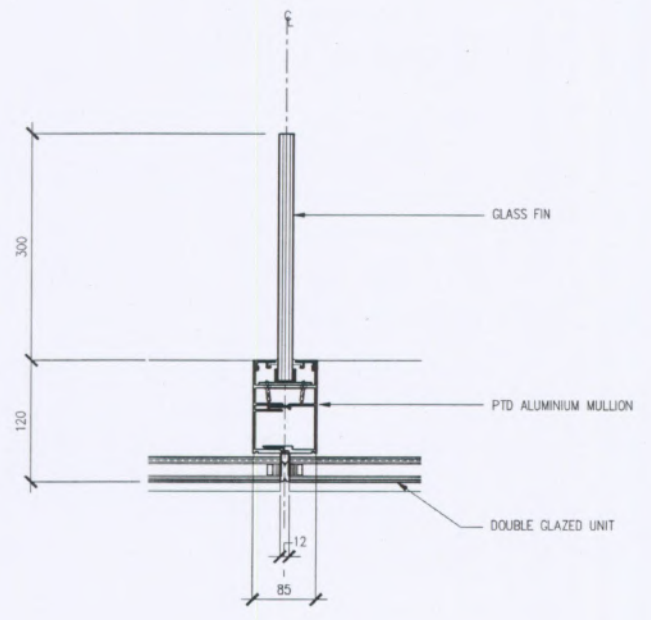


**7 CERAMIC FRIT PATTERN**  
1/5 A0890001

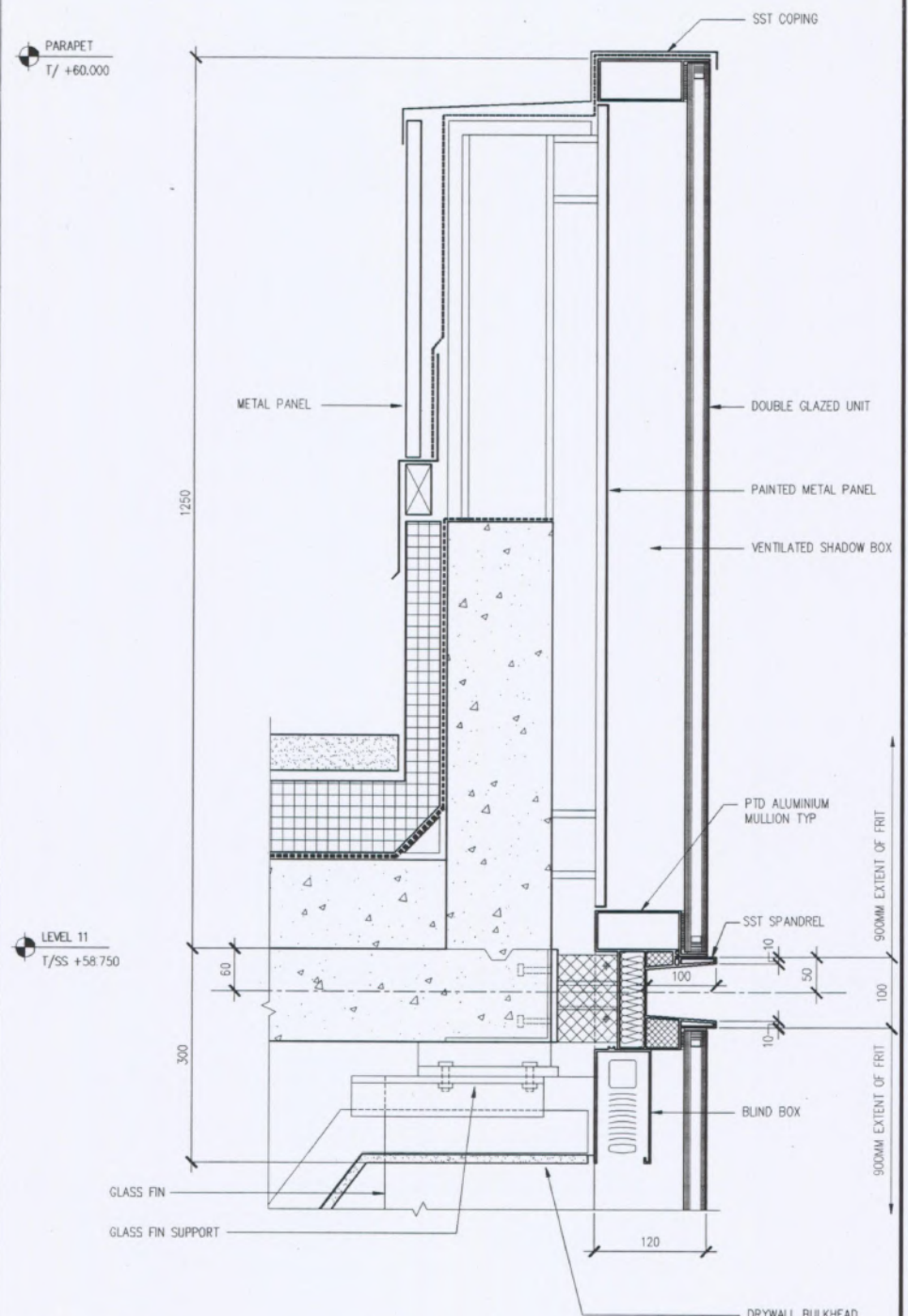
NOTE: BLACK AREA INDICATES WHITE FRIT



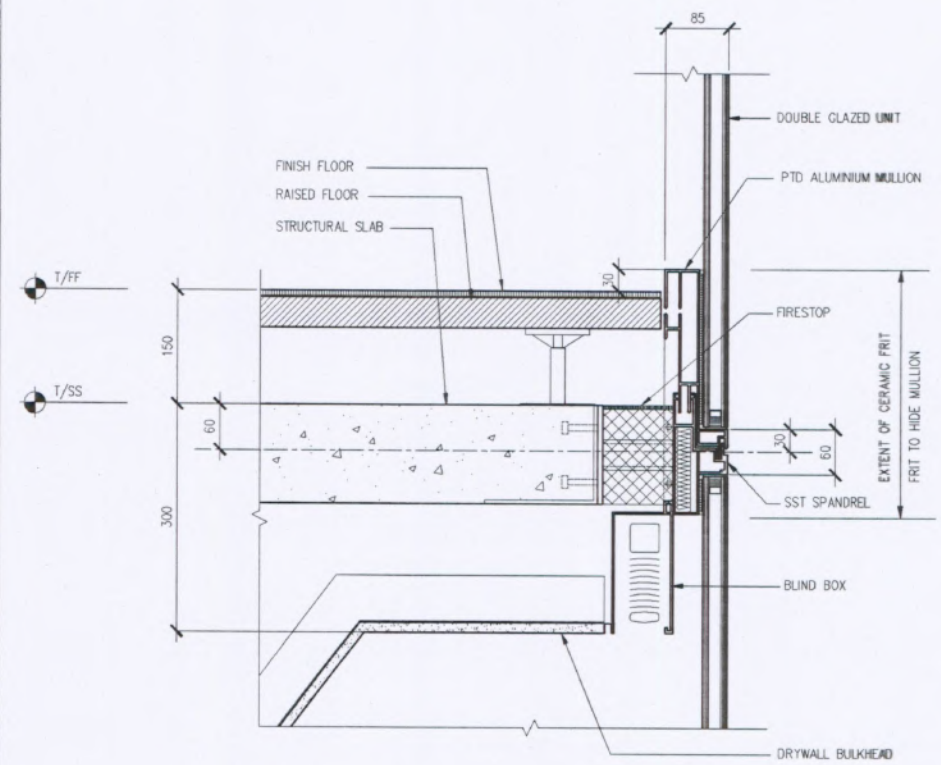
**5 WING WALL DETAIL**  
1/5 A0890001



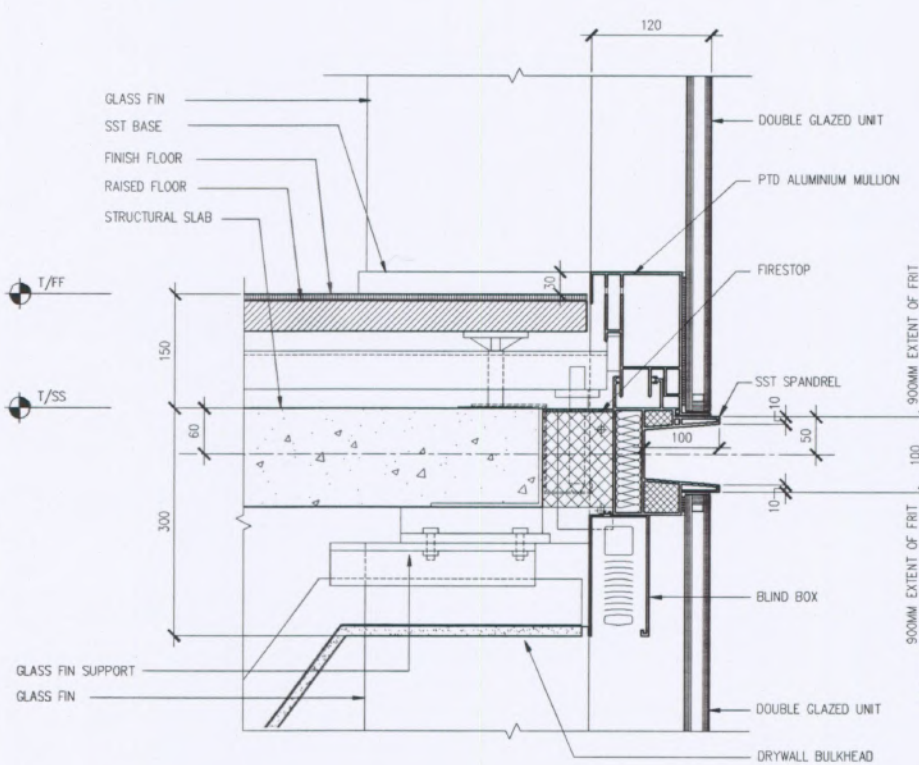
**3 MULLION DETAIL**  
1/5 A0890001



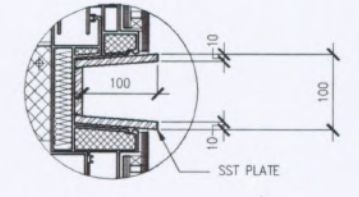
**1 PARAPET DETAIL**  
1/5 A0890001



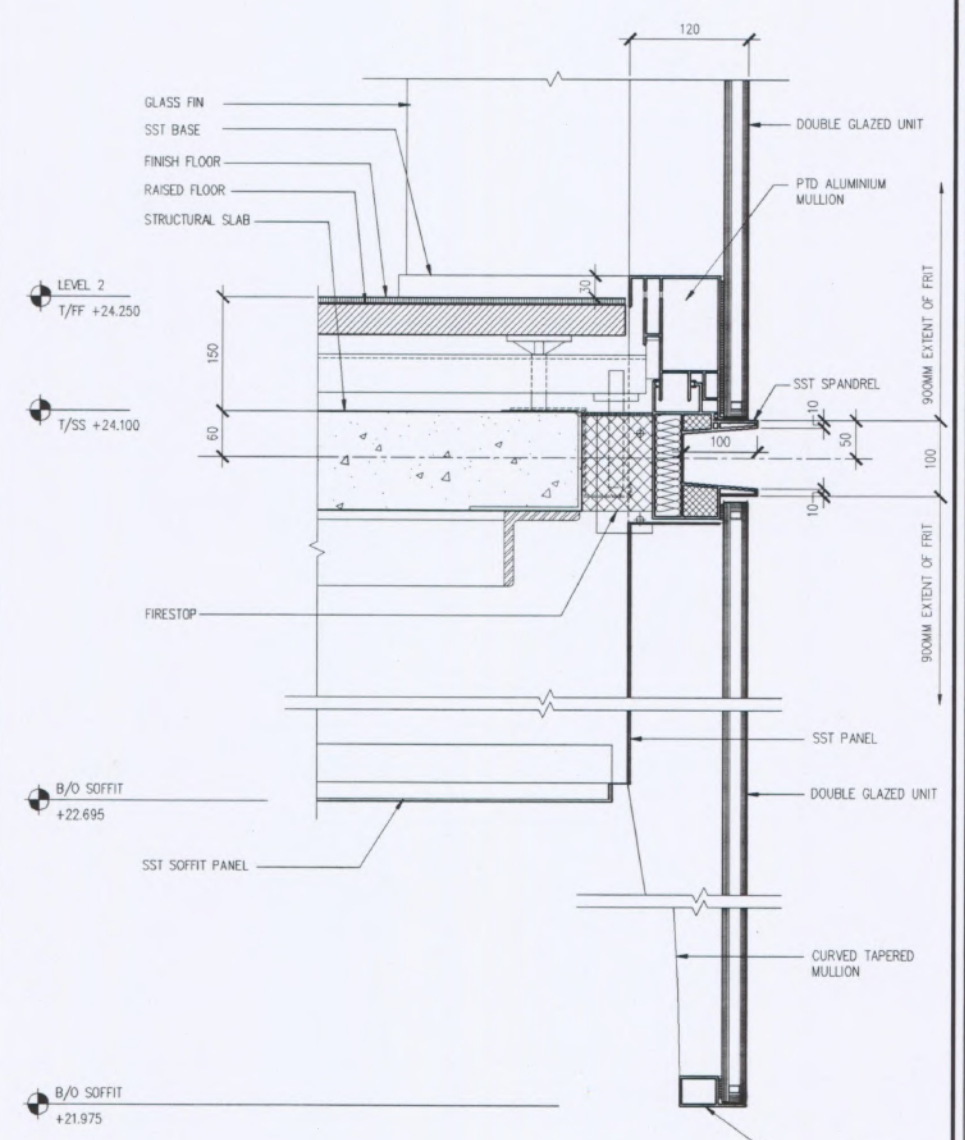
**6 SPANDREL DETAIL**  
1/5 A0890001



**4 SPANDREL DETAIL**  
1/5 A0890001



**4A ALTERNATE SPANDREL DETAIL**  
1/5 A0890001

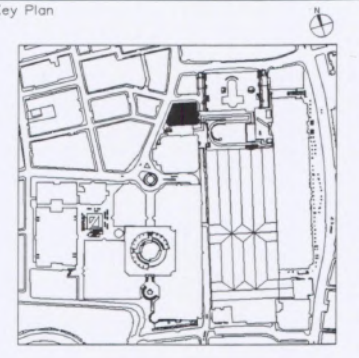


**2 SOFFIT DETAIL**  
1/5 A0890001

**Broadgate**  
The British Land Company Plc  
10 Cornwell Terrace  
Regents Park, London NW1 4QP  
United Kingdom

Architect & Structural Engineer  
**SOM**  
Skidmore, Owings & Merrill, Inc.  
30 Millbank, London SW1P 4SD, England, UK

Services Engineer  
**JB&B**  
Jeros Baum & Bolles (UK) Limited  
Consulting Engineers - Building Services  
80 Albert Embankment, London SE1 7PP



**IN PROGRESS**  
ISSUE FOR  
INFORMATION ONLY  
16 FEB 2002

No.	Date	Issue
00	06.02.02	EXTERIOR WALL TENDER

**HAMILTON HOUSE**  
Broadgate Estates  
London

Drawing Title  
**Exterior Wall Details**

Date	Drawing No.	Revision
06.02.02	A-541	00